



# REPLACEMENT PARTS MANUAL

TITAN & ELEMENT SERIES DUMP BODIES

FEBRUARY 2023

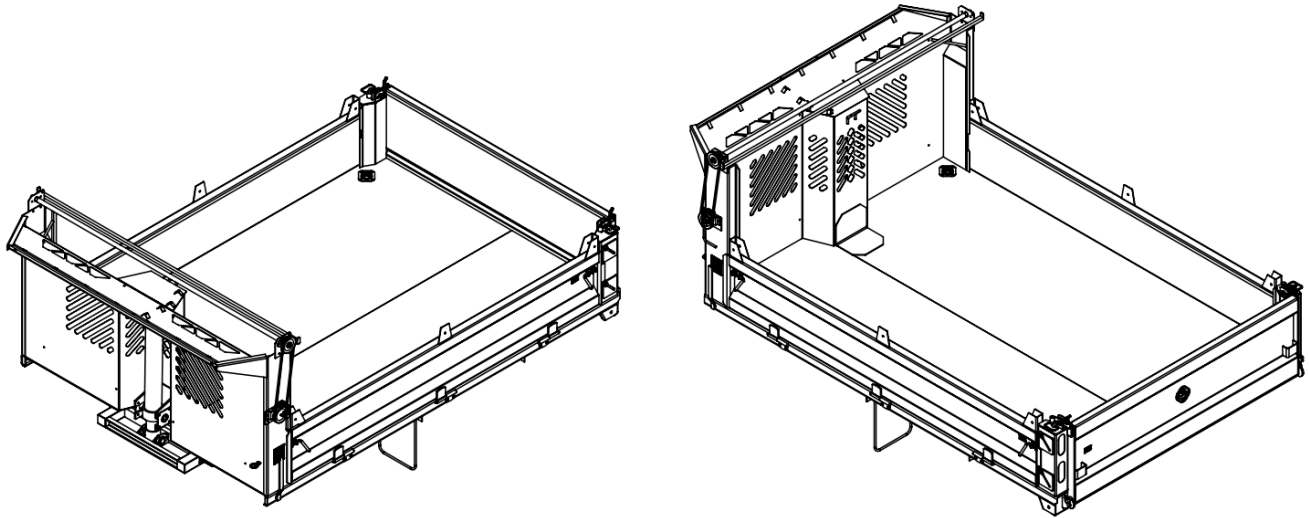


# TABLE OF CONTENTS

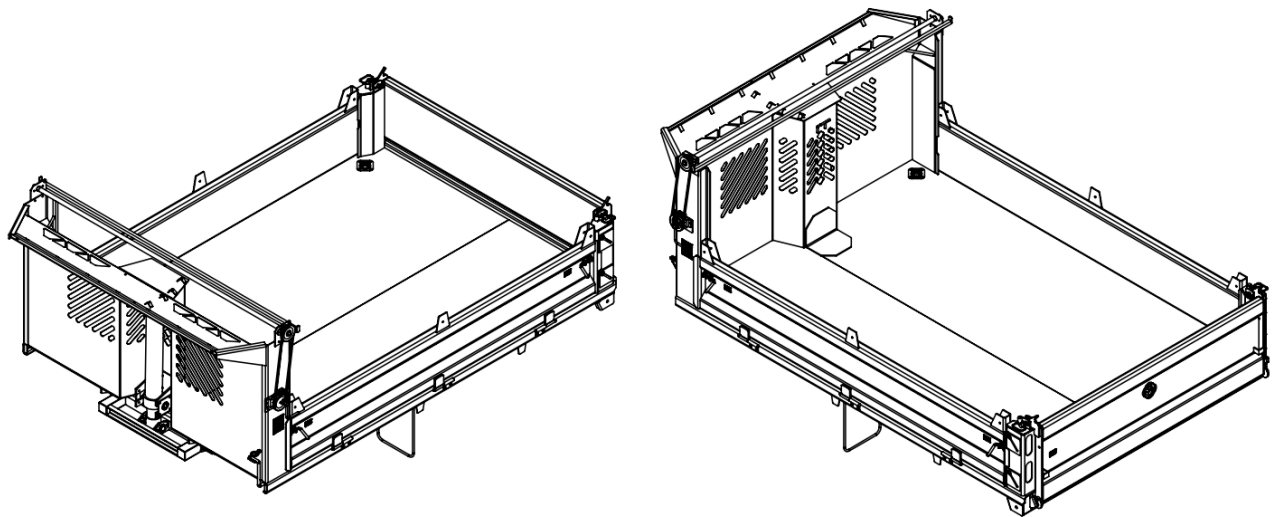
TITAN & ELEMENT SERIES .....	3
TITAN SERIES DUMP BODIES - STEEL CONSTRUCTION .....	3
ELEMENT SERIES DUMP BODIES - ALUMINUM CONSTRUCTION .....	3
SIDE WALLS.....	4
TAILGATE.....	6
REAR POSTS .....	7
FLOOR.....	10
ACTION HOOK SYSTEM .....	12
BACK SKIRT .....	13
SUB-FRAME .....	14
INSTALLATION COMPONENTS .....	15
HYDRAULICS .....	17
ELECTRICAL .....	19
TARP SYSTEMS.....	23
WARNING STICKERS .....	25
POWER PACK BREAKDOWN .....	26

# TITAN & ELEMENT SERIES

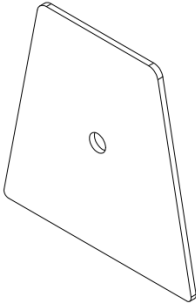
## TITAN SERIES DUMP BODIES – STEEL CONSTRUCTION



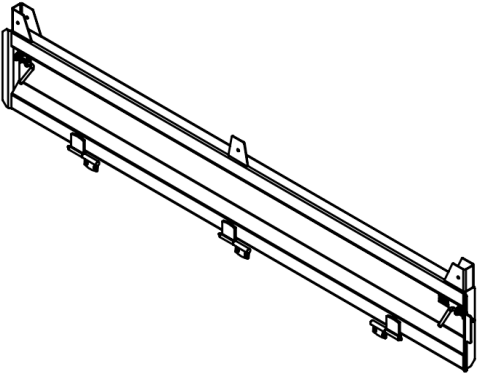
## ELEMENT SERIES DUMP BODIES – ALUMINUM CONSTRUCTION

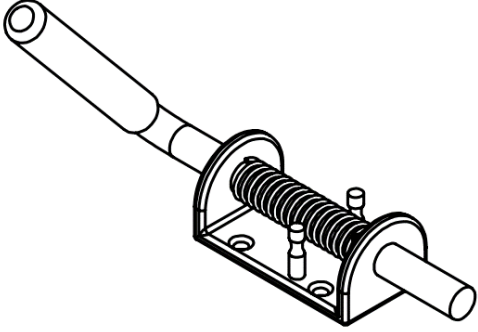


# SIDE WALLS

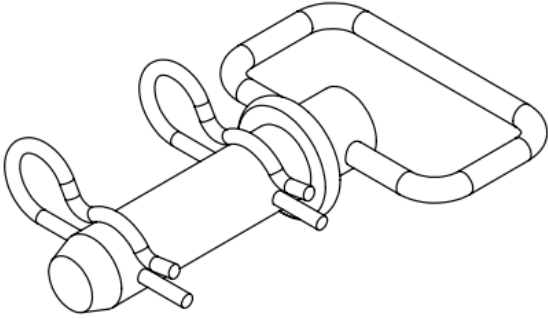
	<b>Side-Board Pocket (Middle)</b>		
	Steel	Aluminum	Notes
	100170	100172	Welding required

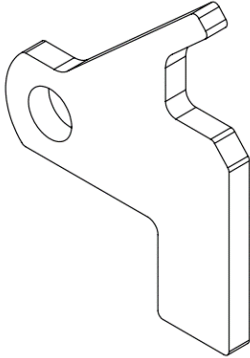
	<b>Side-Board Pocket (Middle)</b>		
	Steel	Aluminum	Notes
	100171	100173	Welding required

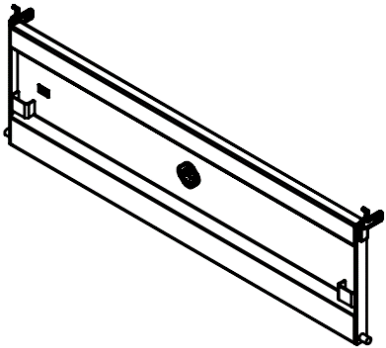
	<b>Replacement Side Wall</b>		
	Steel	Aluminum	Notes
	D321REP-S (on landscape body price list)	D321REP-A (on landscape body price list)	Need to specify height, length, and finish (ie. powder coat)

	<b>Spring Latch</b>		
	<b>Steel</b>	<b>Aluminum</b>	<b>Notes</b>
	100699	100699	N/A

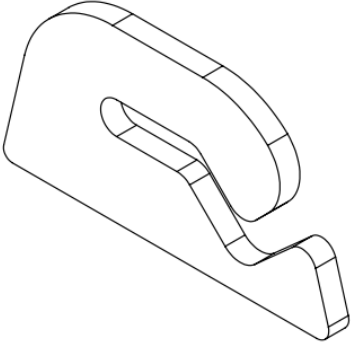
# TAILGATE

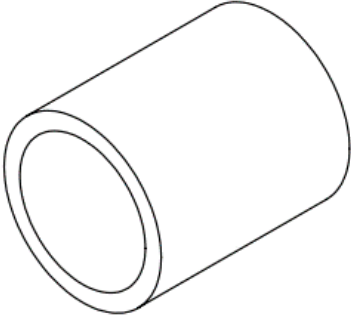
	Tailgate Securing Pin Kit		
	Steel	Aluminum	Notes
	100047	100047	Part number is for one hitch pin and two cotter pins

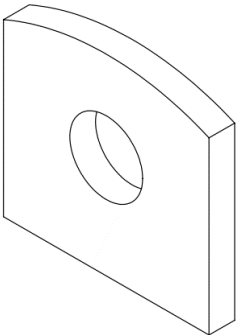
	Tailgate Top Hinge Plate		
	Steel	Aluminum	Notes
	100186	101041	Welding required

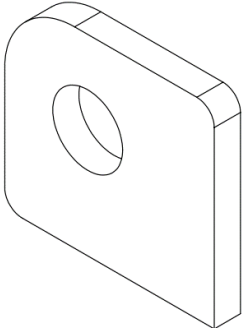
	Replacement Tailgate		
	Steel	Aluminum	Notes
	D304REP-S (on landscape body price list)	D304REP-A (on landscape body price list)	Welding required, need to specify height, length, and finish (ie. powder coat)

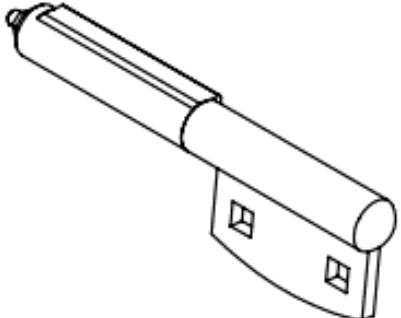
# REAR POSTS

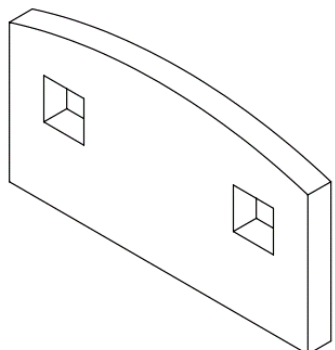
	Chain Hook Weld-On Plate		
	Steel	Aluminum	Notes
	100446	100445	Welding required

	Tailgate Pin Holder		
	Steel	Aluminum	Notes
	100755	100593	Welding required

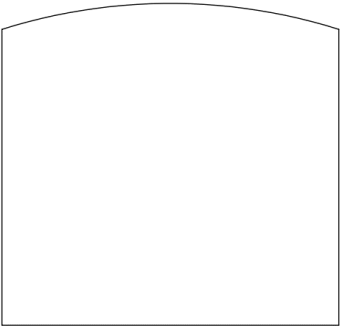
	Rear Post Hinge Plate		
	Steel	Aluminum	Notes
	100541	100542	Welding required

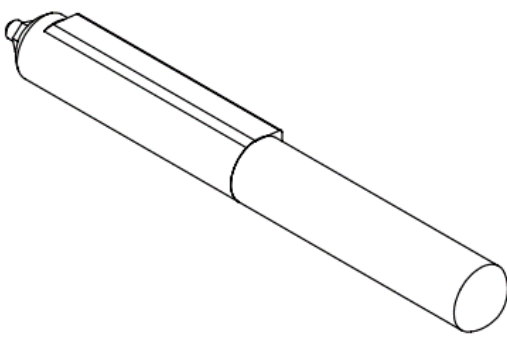
	<b>Swing Gate Top Hinge Plate</b>		
	Steel	Aluminum	Notes
	101229	101230	Welding required

	<b>Side Wall Bullet Hinge Assembly</b>		
	Steel	Aluminum	Notes
	101350	100783	Welding required

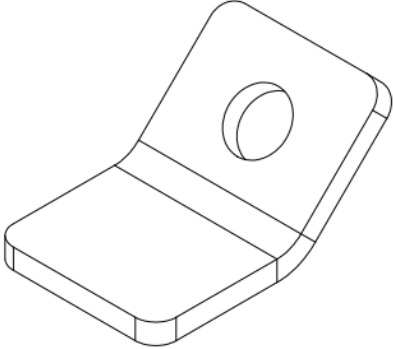
	<b>Side Wall Bolt-On Hinge Bracket</b>		
	Steel	Aluminum	Notes
	100552	100553	Welding required

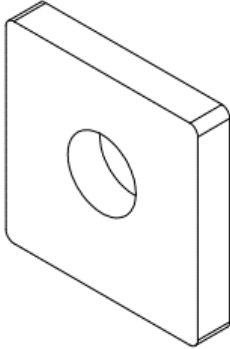


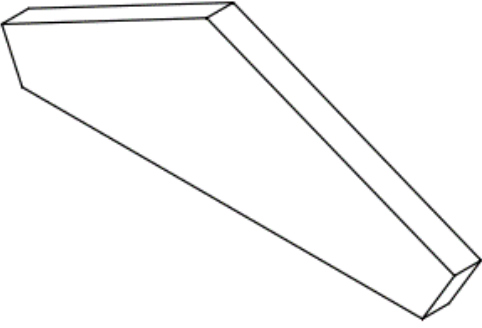
	<b>Side Wall Bolt-On Side Hinge Bracket</b>		
	Steel	Aluminum	Notes
	101678	101677	Welding required

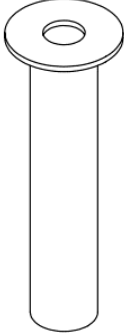
	<b>Bullet Hinge</b>		
	Steel	Aluminum	Notes
	100700	100788	Welding required

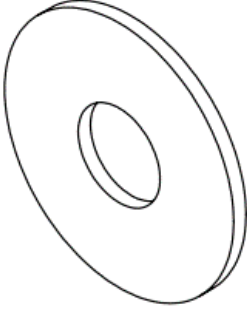
# FLOOR

	<b>Plate for Sub-Frame Hinge</b>		
	Steel	Aluminum	Notes
	100515	N/A	Welding required

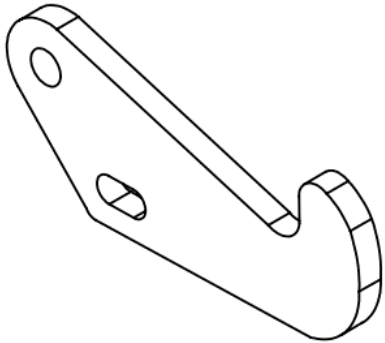
	<b>Plate for Sub-Frame Hinge</b>		
	Steel	Aluminum	Notes
	N/A	100228	Welding required

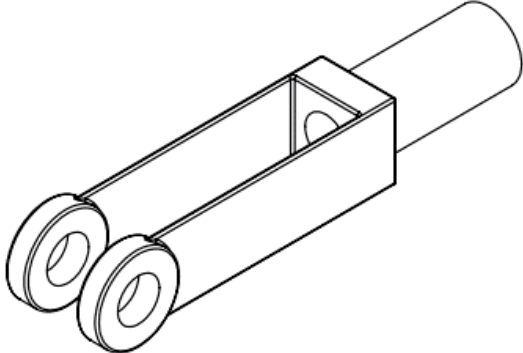
	<b>Gusset for Sub-Frame Hinge</b>		
	Steel	Aluminum	Notes
	N/A	100591	Welding required

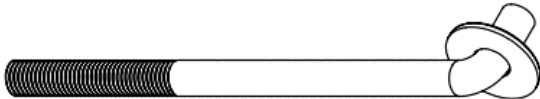
	Hinge Pin Assembly		
	Steel	Aluminum	Notes
	100735	101088	Part number is for one hinge pin, welding required. Recommended to also purchase 100737

	Washer for Hinge Pin		
	Steel	Aluminum	Notes
	100737	100737	Welding required


# ACTION HOOK SYSTEM

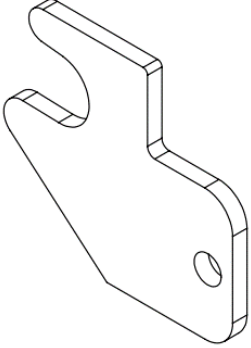
	Action Hook		
	Steel	Aluminum	Notes
	100143	100143	Need to specify powder coat color

	Action Hook Yoke		
	Steel	Aluminum	Notes
	100134	100134	N/A

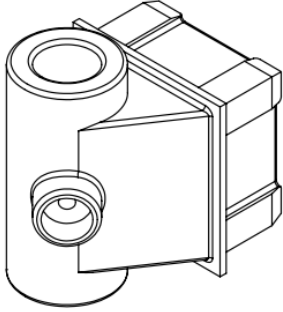
	Action Hook Threaded Rod Assembly		
	Steel	Aluminum	Notes
	100136	100136	Need to specify powder coat color

# BACK SKIRT

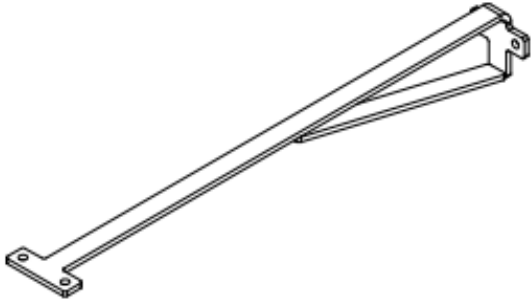
	<b>Back Skirt Pin for Tailgate Hook</b>		
	Steel	Aluminum	Notes
	100141	100509	Welding required

	<b>Tailgate Bottom Pivot Hook</b>		
	Steel	Aluminum	Notes
	100139	100140	Welding required

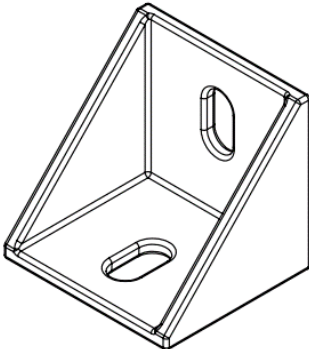
# SUB-FRAME

	<b>Sub-Frame Hinge Block</b>		
	<b>Steel</b>	<b>Aluminum</b>	<b>Notes</b>
	100543	100543	Welding and paint required

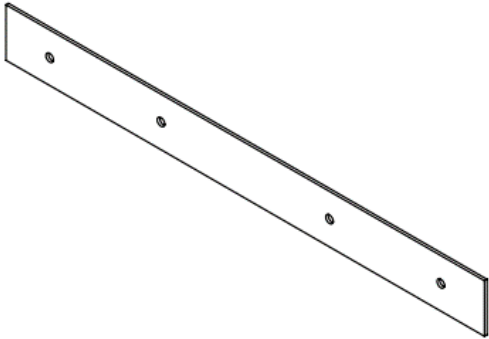
# INSTALLATION COMPONENTS

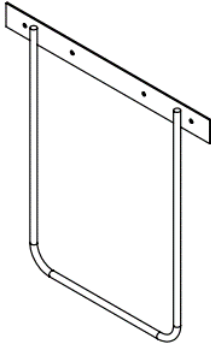
	<b>Extended Gas Line Bracket Assembly</b>	
	Part Number	Notes
	101123	N/A

	<b>Muffler Clamp</b>	
	Part Number	Notes
	FASMC2	N/A

	<b>Sub-Frame Tie-Down Block (Powder Coated Black)</b>	
	Part Number	Notes
	D303-5 (on landscape body price list)	Part number is for one block


	<b>20x24 Black Rubber Mud Flap with Logo</b>	
	Part Number	Notes
	BYSROY20X24LOGO	Part number is for one mud flap

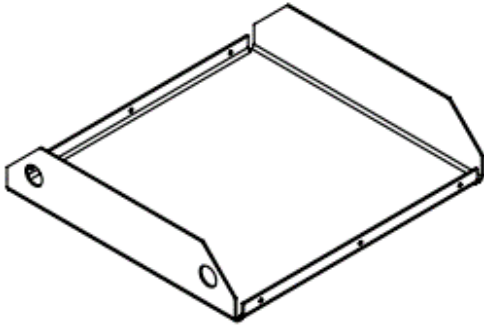
	<b>Mud Flap Plate (2" x 20")</b>	
	Part Number	Notes
	100177	N/A


	<b>Anti-Sail Bracket Assembly (20")</b>	
	Part Number	Notes
	100178	N/A





# HYDRAULICS

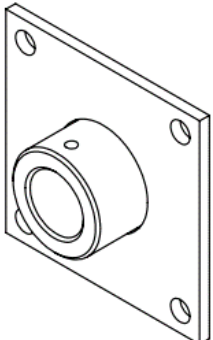
	<b>Power Pack with Flat Tank</b>	
	Part Number	Notes
	HWFPU11A32Z0220	Requires Dexron 111 automatic transmission fluid

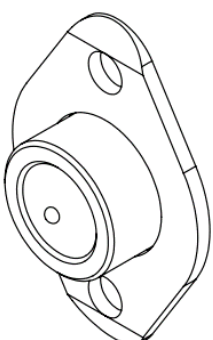
	<b>Aluminum Power Pack Pan</b>	
	Part Number	Notes
	100049	N/A

	<b>Hose for 3.5 Cylinder</b>	
	Part Number	Notes
	KITHOSE-3.5	N/A

	<b>Cylinder with 99.8" Stroke</b>	
	Part Number	Notes
	HYV71490119	N/A

	<b>Cylinder with 89.6" Stroke</b>	
	Part Number	Notes
	HYV71490109	N/A

	<b>Hyva Trunnion Bushing Assembly</b>	
	Part Number	Notes
	100105	Part number is for one bushing

	<b>Hyva Cradle Bushing Assembly</b>	
	Part Number	Notes
	100106	Part number is for one bushing, need to specify left or right


# ELECTRICAL

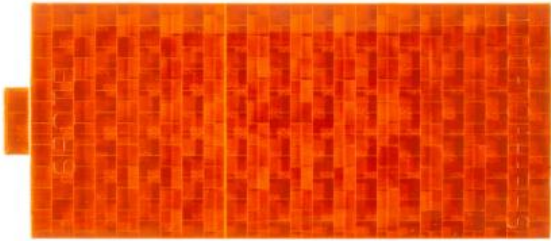
	<h3>Harness with 3/4" Lights/Adapter</h3>	
<p>Part Number</p>	<p>Notes</p>	
<p>BYSINNVX4498</p>	<p>N/A</p>	

	<h3>Truck Adapter - Ford Mini Dump</h3>	
<p>Part Number</p>	<p>Notes</p>	
<p>BYSINNVX4499</p>	<p>N/A</p>	

	<h3>25" I/O and Loom</h3>	
<p>Part Number</p>	<p>Notes</p>	
<p>GROCABLE-KIT</p>	<p>N/A</p>	


	<b>Titan Light Kit</b>	
	Part Number	Notes
	GROTITAN23LIGHTKIT	N/A

	<b>Reflector 1-3/4 X 3-13/16 Red</b>	
	Part Number	Notes
	GRO41152	N/A


	<b>Reflector 1-3/4 X 3-13/16 Yellow</b>	
	Part Number	Notes
	GRO41153	N/A


	<b>6" Oval LED Stop Tail Turn Light with Integrated Back-up</b>	
	Part Number	Notes
	GRO54672	N/A


	<b>Grommet For 6" Oval Light</b>	
	Part Number	Notes
	GRO92420	N/A

	<b>Two Light 9" Y Adapter Pigtail</b>	
	Part Number	Notes
	GRO66813	N/A

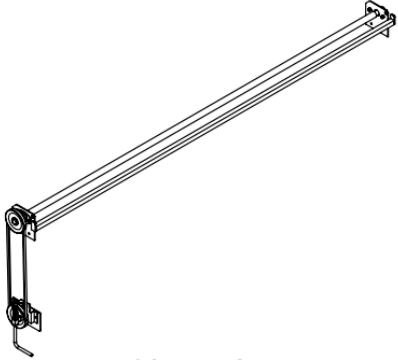
	<b>6" Oval LED Stop Tail Turn Light</b>	
	Part Number	Notes
	GRO54752	N/A

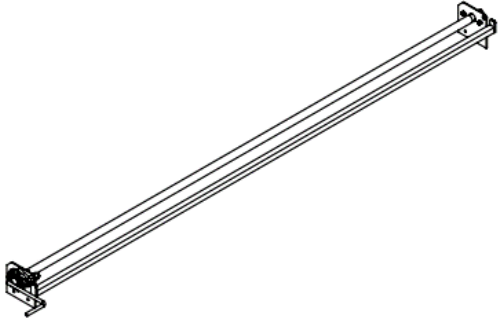
	<b>Standard Copper Tube Lugs 1/0 Gauge, 3/8" Stud</b>	
	Part Number	Notes
	GRO84-9433	N/A

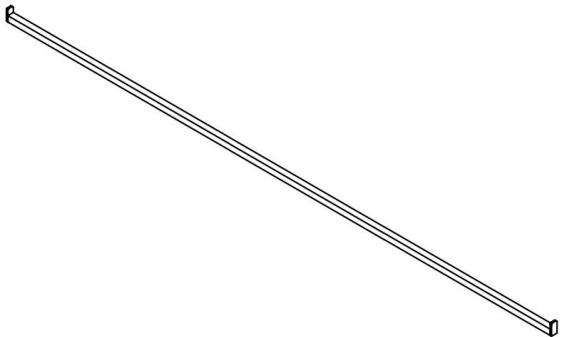
	<b>Standard Copper Tube Lugs Gauge 1/0, 1/4" Stud</b>	
	Part Number	Notes
	GRO84-9545	N/A

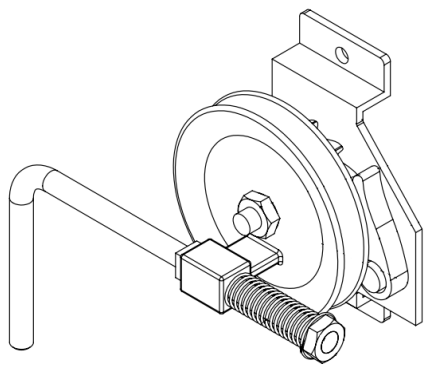
	<b>Surface Mount Circuit Breaker, Manual Reset, 250A</b>	
	Part Number	Notes
	BYWES174-S2-250- 2	N/A

# TARP SYSTEMS

	<b>Manual Belt Crank Tarp Roller Kit</b>		
	Steel	Aluminum	Notes
	D326 (on landscape body price list)	D326 (on landscape body price list)	Need to specify belt length (57" or 80") and powder coat color. Includes 7.2x13 mesh tarp.

	<b>Manual Tarp System</b>		
	Steel	Aluminum	Notes
	D325 (on landscape body price list)	D325 (on landscape body price list)	Need to specify powder coat color. Includes 7.2x13 mesh tarp.

	<b>Aluminum Tarp Bar Assembly</b>		
	Steel	Aluminum	Notes
	100109	100109	N/A


	<b>Belt Crank Pulley and Sprocket Assembly</b>		
	Steel	Aluminum	Notes
	100118	100118	Need to specify powder coat color.

	<b>Mesh Tarp 7.2 X 13</b>		
	Steel	Aluminum	Notes
	TAG7.2X13M	TAG7.2X13M	Tarp is 7.2x13, if another size needed, please specify



# WARNING STICKERS

	2.5WX 1.5H Caution with Pinch Logo	
	Part Number	Notes
	SIGCAUTIONLOGO	N/A

	4W X 5H Single Sided Warning Sticker	
	Part Number	Notes
	SIGWARNINGSTICKERS	N/A

# POWER PACK BREAKDOWN

The following drawing is a breakdown of the power pack (HWFPU11A32Z0220). Please contact Eagle directly for any required components, or further information.

1		2		3		4		5		6	
NO.	DRAWING NO./REV	PART NAME	QTY	REMARKS							
1	307000/A	Solenoid Washer	2								
2	640040	Solenoid	1								
3	300010/A	Solenoid Bolt	2								
4	600120	MOTOR	1								
5	111000/A	Relief Valve	1								
6	210025/A	BLOCK	1								
7	150012/A	Screen Filter Suction Elbow	1								
8	307080/A	Lockwasher	2								
9	641010	COIL	1								
10	115200	SOLENOID VALVE	1								
11	110100/A	Checkvalve	1								
12	400080	PUMP	1								
13	300060/A	MOTOR BOLTS	2								
14	315000	BLOCK PLUG	1								
15	301140	PUMP BOLT	2								
16	310067/A	ELBOW FITTING	1								
17	610190	POSITIVE WIRE	2								
18	610020	NEGATIVE WIRE	1								
19	330100/A	TANK O-RING	1								
20	500150/A	STEEL SQUARE RESERVOIR - 26.60 L	1								
21	520030/A	Breather	1								
22	307050/A	Tank Lockwasher	4								
23	300030/A	TANK BOLT	4								
24	421000/A	Pump/motor Coupler	1								
25	630140/A	Remote Control	1								

01	2023-02-14	NEW RELEASE	REV DESCRIPTION	D/JN	DESIGNED	CHECKED	APPROVED
----	------------	-------------	-----------------	------	----------	---------	----------

EAGLE	DRAWING NO.	SCALE: 1:1
HWFPU11A32Z0220	10008616	
HWFPU11A32Z0220	PART NAME	SHEET SIZE: A3
		SHEET OF: 2 OF 2